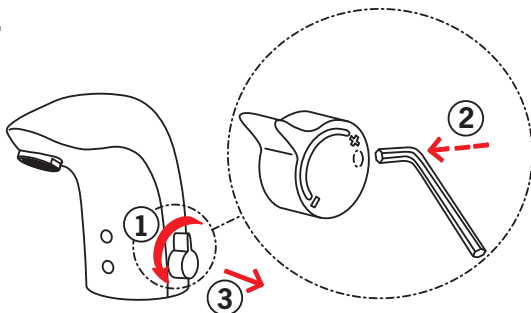


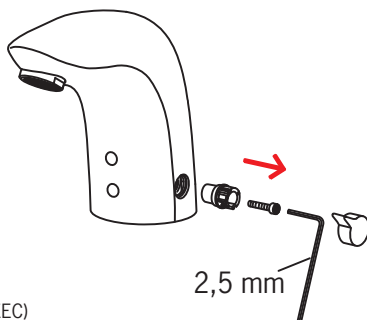
# 199212V



## 1.



## 2.



**CE** (EMC 89/336/EEC)



**ORAS GROUP**

Isometsäntie 2  
P.O. Box 40  
FI-26101 Rauma  
Finland  
Tel. +358 2 83 161  
Fax +358 2 831 6300  
Info.Finland@oras.com



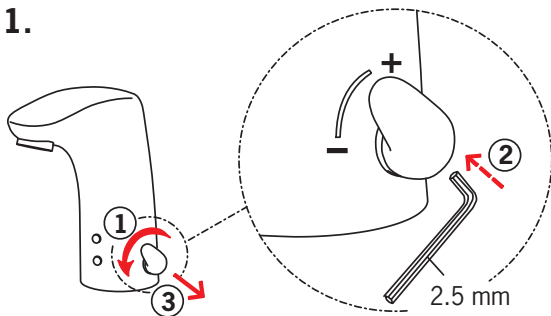
945994/07/13

[www.oras.com](http://www.oras.com)

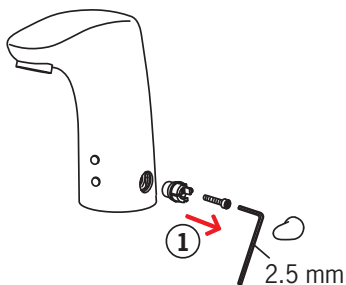
# 600581V



## 1.



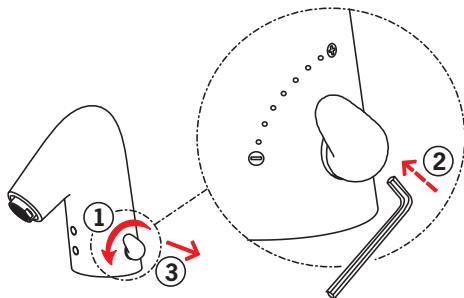
## 2.



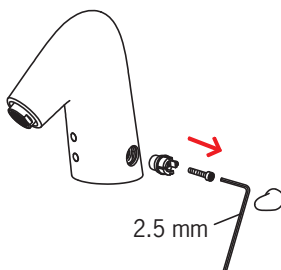
# 600581V



## 1.



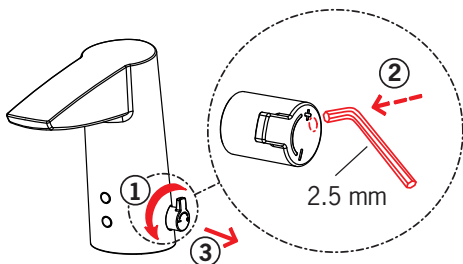
## 2.



# 600493V



## 1.



## 2.

